

Instruction manual
Инструкция по эксплуатации

Meat grinder BR1601
Мясорубка BR1601



СОДЕРЖАНИЕ

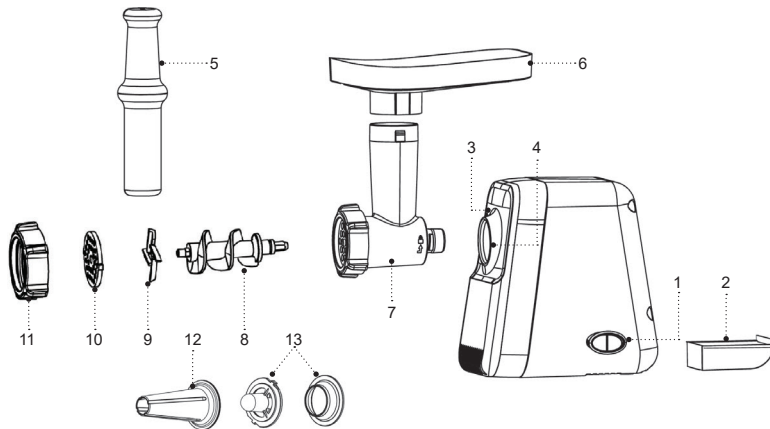
EN.....	3
DE.....	12
RU.....	22
KZ.....	32

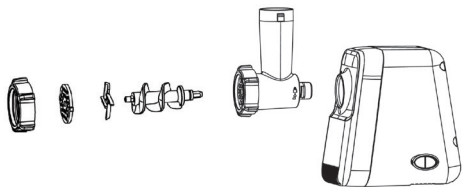
MEAT GRINDER BR1601

The electric meat grinder is intended for making minced meat or minced fish and for making homemade semi-finished products.

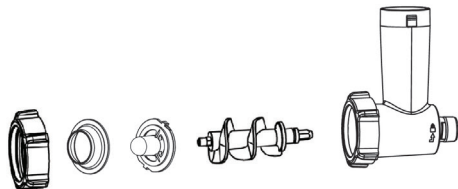
DESCRIPTION

1. Operation mode switch (ON/OFF/R)
2. Cutting plate tray
3. Meat grinder head lock button
4. Meat grinder head installation place
5. Pusher
6. Food tray
7. Meat grinder head body
8. Screw
9. Crossed blade
10. Coarse and fine cutting plates
11. Meat grinder head nut
12. Sausage filling attachment
13. Kebbe attachments

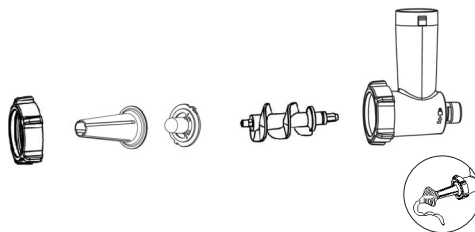




Pic. 1



Pic. 2



Pic. 3

SAFETY MEASURES AND OPERATION RECOMMENDATIONS

Read the operation manual carefully before using the meat grinder; after reading, keep it for future reference.

- Use the unit for its intended purpose only, as it is stated in this manual.
- Mishandling the meat grinder can lead to its breakage and cause harm to the user or damage to his/her property and it is not covered by warranty.
- Make sure that the operating voltage of the unit indicated on the label corresponds to your home mains voltage.

ATTENTION! Continuous operation time should not exceed 7 minutes, after that make at least 10 minutes break.

- Do not use the unit outdoors.
- It is recommended not to use the unit during lightning storms.
- Place and use the meat grinder only on a dry flat and stable surface, away from heat sources, open flame and direct sunlight.
- Do not use the unit near heating appliances, heat sources or open flame.
- Do not use the meat grinder in places where aerosols are stored, used or sprayed, and in proximity to inflammable liquids.

- Protect the unit from blows, drops, vibrations and other mechanical stress.
- Do not block the ventilation openings on the unit body during the meat grinder operation; this may lead to the electric motor overheating.
- Never leave the unit connected to the mains unattended.
- Do not immerse the meat grinder body, the power cord or the power plug into water or any other liquids.
- Do not use the unit in proximity to the kitchen sink, in bathrooms, near swimming pools or other containers filled with water.
- If the unit is dropped into water, unplug it immediately, and only then you can take the unit out of water. Apply to the authorized service center for testing or repairing the unit.
- Do not let the power cord touch hot surfaces and sharp edges of furniture.
- Handle the power cord with care, avoid twisting it and periodically straighten the cord.
- Do not use the power cord as a carrying handle for the meat grinder.
- Do not touch the unit body, the power cord and the power plug with wet hands.
- Unplug the unit after usage or before cleaning. When unplugging the unit, hold the power plug and carefully remove it from the mains socket, do not pull the power cord, as this can lead to its damage and cause a short circuit.

- Before using the unit for the first time, wash thoroughly all the removable parts of the meat grinder that will contact food.
- Use only the parts supplied with the meat grinder.
- Before switching the unit on, make sure that all parts of the meat grinder are installed properly.
- Regularly clean the meat grinder body and the parts which were used during the operation.
- For child safety reasons do not leave polyethylene bags used as packaging unattended.

ATTENTION!

Do not allow children to play with polyethylene bags or packaging film. **Danger of suffocation!**

- The unit is not intended for usage by children.
- Do not leave children unattended to prevent using the unit as a toy.
- Do not allow children to touch the unit body, the power cord or the power plug during operation of the unit.
- Be especially careful if children or disabled persons are near the operating unit.
- During the unit operation and breaks between operation cycles, place the unit out of reach of children.
- The unit is not intended for usage by physically, sensory, psychically or mentally disabled persons (including children) or by persons lacking experience

or knowledge if they are not under supervision of a person who is responsible for their safety or if they are not instructed by this person on the usage of the unit.

- Before using the meat grinder, check the power cord integrity. If the power cord is damaged, it should be replaced by the manufacturer, a maintenance service or similar qualified personnel to avoid danger.
- Do not repair the unit by yourself. Do not disassemble the unit by yourself, if any malfunction is detected, and after the unit was dropped, unplug it and apply to the service center.
- To avoid damages, transport the unit in the original package.
- Keep the unit in a dry cool place out of reach of children and disabled persons.

THE UNIT IS INTENDED FOR HOUSEHOLD USE ONLY, DO NOT USE THE UNIT FOR COMMERCIAL OR LABORATORY PURPOSES.

BEFORE THE FIRST USE

After the unit transportation or storage at negative temperature, unpack it and wait for at least 3 hours before using it.

- Unpack the unit and remove all the packaging materials.
- Keep the original package.

- Read the safety measures and operating recommendations.
- Check the delivery set.
- Examine the unit for damages, in case of damage do not plug it into the mains.
- Make sure that specified specifications of power supply voltage of the unit correspond to the specifications of your mains.
- Wash all the removable parts (2, 5, 6, 7, 8, 9, 10, 11, 12, 13) with warm water and neutral detergent, rinse and dry them.
- Wipe the meat grinder body with a slightly damp cloth, and then wipe it dry.

BASIC TIPS FOR USING THE MEAT GRINDER

- The electric meat grinder is intended for household use only, for making minced meat or minced fish and for making homemade semi-finished products.

ATTENTION!

Continuous operation time should not exceed 7 minutes, after that make at least 10minutes break.

- Assemble and use the meat grinder only on a dry flat and stable surface, away from heat sources, open flame and direct sunlight.
- Make sure that the ventilation openings on the meat grinder body are not blocked with any foreign objects.
- Before making minced meat, make sure that all bones and excess fat are removed.

- Do not process food with hard fiber (for example, ginger or horseradish) in the meat grinder.
- Place a suitable bowl under the meat grinder head (7).
- Switch the meat grinder on and slowly feed the meat pieces into the mouth of the grinder head (7) using the pusher (5).
- During operation, use only the pusher (5) supplied with the unit. Do not apply excessive effort while pushing the meat or other products.
- Do not push meat with your hands or any other objects.
- If an obstruction appears during the unit operation, use the reverse function (the screw reverse mode) to remove it. To switch the reverse mode on, switch the meat grinder off by setting the operation switch mode (1) to the position «OFF», then press and hold the switch (1) in the position «R» (reverse) for several seconds (not longer than 5 seconds), and then release the switch (1).
- After the operation is finished, switch the meat grinder off by setting the operation mode switch (1) to the position «OFF», unplug the unit and then disassemble it.

MAKING MINCED MEAT

- Insert the meat grinder head (7) to the installation place (4) (pic. 1), press the lock button (3) and turn the meat grinder head (7) counterclockwise until it is fixed.

- Install the screw (8) into the meat grinder head (7) body.
- Install the crossed blade (9).
- Select one of the plates (10) and set it over the blade, matching the ledges on the plate with the grooves on the meat grinder head body (7), tighten the nut (11).
- During the operation always use only the pusher (5).

ATTENTION!

- When installing the blade (9), make sure that the cutting edges of the blade (9) face the plate (10). If the blade is installed improperly, it will not grind meat.
 - The fine cutting plate (10) can be used for processing both raw and cooked meat, fish, etc.
 - The coarse cutting plate (11) can be used for processing raw meat, fish, vegetables, dried fruit, cheese, etc.
- Install the food tray (6) on the meat grinder head (7).
 - Insert the power plug into the mains socket.
 - Switch the meat grinder on by setting the operation mode switch (1) to the position «ON».
 - **Recommendations:**
 - Defrost frozen meat thoroughly. For better processing, cut meat into strips (20x20x60 mm) or cubes (20x20x20 mm).

- During operation, use only the pusher (5) supplied with the unit. Do not apply excessive effort while pushing the meat or other products.
- Do not push meat with your hands or any other objects.
- After the operation is finished, switch the meat grinder off by setting the operation mode switch (1) to the position «OFF», unplug the unit and then disassemble it.
- To disassemble the meat grinder head (7), unscrew the nut (11) by turning it counterclockwise, remove the installed plate (10) from the meat grinder head (7) body, remove the crossed blade (9) and the screw (8).
- To remove the meat grinder head (7), press the lock button (3), turn the meat grinder head (7) clockwise and remove it.

MAKING KEBBE

- Kebbe, Kibbeh or kubba is a Mediterranean dish cooked of beef or mutton, wheat flour and spices.
- Use the kebbe attachment (13) to make hollow rolls of the base. The rolls are filled and deep fried. Try making various fillings for the rolls.
- Here is an example kebbe recipe, you can find other recipes on the Internet.
- **Filling**
 - Mutton 100 g

- Olive oil 1,5 table spoon
- Onion (minced) 1,5 table spoon
- Spice to taste
- Salt ¼ teaspoon
- Flour 1 table spoon or 1/2 table spoon
- Assemble the meat grinder (see the chapter «MAKING MINCED MEAT»).
- Mince mutton once or twice.
- Fry onion until golden, then add minced mutton, spices, flour and salt.
- **Prepare the rolls base.**
 - Lean meat (beef or mutton) 450-500 g
 - Flour 150-200 g
 - Spice 1 teaspoon (to taste)
 - Nutmeg 1 pc.
 - Ground red pepper (to taste)
 - Black pepper (to taste)
- Mince the meat thrice in the meat grinder, mince a nutmeg separately, and then mix all the components.
- More meat and less flour in the roll provide better consistency and taste of the prepared dish.

Making the rolls

- Install the meat grinder head (7) in the installation place (4).
- Insert the screw (8) into the meat grinder head body (7), install the kebbe attachments (13) on the screw; make sure that the ledges on the attachment (13)

match the grooves on the meat grinder head (7) body (pic. 2) and tighten the nut (11).

- Install the food tray (6).
- Put the prepared base for the rolls on the food tray (6).
- Insert the power plug into the mains socket.
- Switch the meat grinder on by setting the operation mode switch (1) to the ON-position.
- Use the pusher (5) to supply the base for the rolls.
- Cut the prepared rolls of necessary length.
- After the operation is finished, switch the meat grinder off by setting the operation mode switch (1) to the position «OFF», unplug the unit and then disassemble it.
- Unscrew the nut (11), turning it counterclockwise, and remove the kebbe attachments (13), remove the screw (8).
- To remove the meat grinder head (7), press the lock button (3), turn the meat grinder head (7) clockwise and remove it.

FILLING THE SAUSAGE CASING

- Mince the meat.
- Install the meat grinder head (7) in the installation place (4).
- Install the screw (8) into the meat grinder head (7) body, install a part of the kebbe attachment (13) on the screw, install the sausage attachment (12) and screw the nut (11) tight (pic. 3).

- Install the food tray (6).
- Put the natural casing in a bowl with warm water for 10-15 minutes.
- Pull softened casing on the attachment (12) and make a knot on the tip.
- Put the minced meat on the food tray (6).
- Insert the power plug into the mains socket.
- Switch the meat grinder on by setting the operation mode switch (1) to the ON-position.
- Use the pusher (5) (pic. 3) to push down the minced meat; as the casing is filled, slide it off the attachment (12), and wet it as the casing dries.
- After the operation is finished, switch the meat grinder off by setting the operation mode switch (1) to the position «OFF», unplug the unit and then disassemble it.
- Unscrew the nut (11), remove the attachments (12) and (13) and remove the screw (8).
- To remove the meat grinder head (7), press the lock button (3), turn the meat grinder head (7) clockwise and remove it.
- Wash all the removable parts which were used for operation with warm water and neutral detergent, rinse and dry.
- Wipe the meat grinder body with a slightly damp cloth and then wipe it dry.
- Do not use any solvents or abrasives to clean the meat grinder body.
- Provide that no liquid gets inside the meat grinder body.
- After processing salty and sour products, rinse the removable parts of the meat grinder with water.
- Vegetables with dyeing properties (such as carrots or beets) can stain the meat grinder parts; wipe the meat grinder parts with a cloth moistened with vegetable oil, then rinse them with a neutral detergent, rinse and dry.
- Carry the meat grinder by the handle.

CLEANING AND CARE

- After the operation is finished, switch the meat grinder off by setting the operation mode switch (1) to the position «OFF», unplug the unit and then disassemble it.
- Before taking the meat grinder away for storage, make sure that the meat grinder body and all removable parts are clean and dry.
- Use the tray (2) for storing the cutting plates (10).
- Keep the unit in a dry cool place out of reach of children and disabled persons.

STORAGE

DELIVERY SET

1. Meat grinder — 1 pc.
2. Pusher — 1 pc.
3. Food tray — 1 pc.
4. Plates — 2 pcs.
5. Sausage-filling attachment — 1 pc.
6. Kebbe-attachment — 1 pc.
7. Instruction manual — 1 pc.

TECHNICAL SPECIFICATIONS

- Power supply: 220-240 V, ~ 50 Hz
- Rated input power: 600 W
- Maximum power: 1300 W

RECYCLING

To prevent possible damage to the environment or harm to the health of people by uncontrolled waste disposal,



after expiration of the service life of the unit or the batteries (if included), do not discard them with usual household waste, take the unit and the batteries to specialized stations for further recycling.

The waste generated during the disposal of products is subject to mandatory collection and consequent disposal in the prescribed manner.

For further information about recycling of this product apply to a local municipal administration, a household waste disposal service or to the shop where you purchased this product.

The manufacturer reserves the right to change the design, structure and specifications not affecting general operation principles of the unit, without prior notice.

The unit operating life is 3 years

The manufacturing date is specified in the serial number.

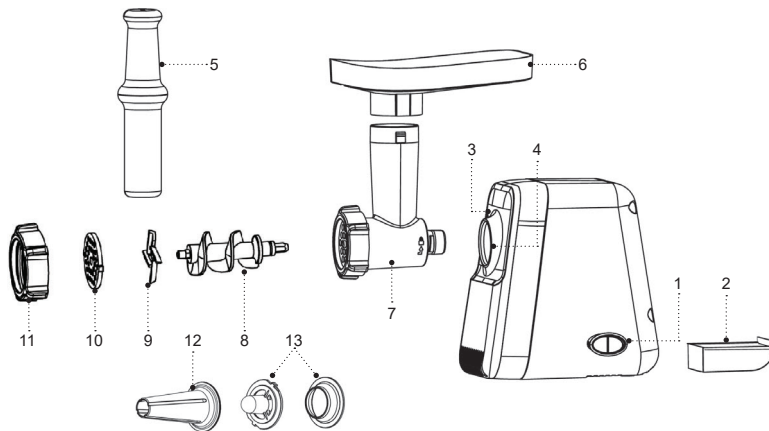
In case of any malfunctions, it is necessary to apply promptly to the authorized service center.

FLEISCHWOLF BR1601

Der elektrische Fleischwolf ist zum Fleisch- oder Fischhacken und Zubereitung von hausgemachten Halbprodukten bestimmt.

BESCHREIBUNG

1. Betriebsschalter (ON/OFF/R)
2. Lochscheibenfach
3. Verriegelungstaste des Fleischwolfkopfs
4. Aufstellplatz des Fleischwolfkopfs
5. Stopfer
6. Nahrungsmittelschale
7. Fleischwolfkopfgehäuse
8. Schnecke
9. Kreuzmesser
10. Lochscheiben für Klein- und Grobhacken
11. Mutter des Fleischwolfkopfs
12. Würstchenfülleraufsatz
13. Kebbeaufsätze



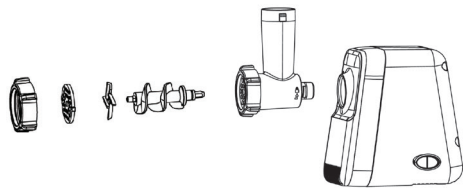


Abb. 1

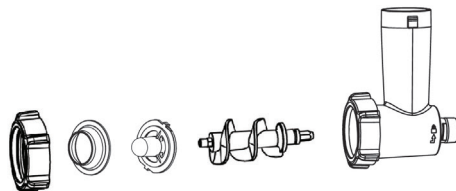


Abb. 2

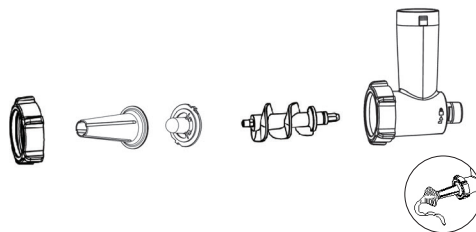


Abb. 3

SICHERHEITSHINWEISE UND BEDIENUNGSANLEITUNG

Bevor Sie den Fleischwolf benutzen, lesen Sie die Bedienungsanleitung aufmerksam durch und bewahren Sie sie zum späteren Gebrauch auf.

- Benutzen Sie das Gerät nur bestimmungsmäßig und laut dieser Bedienungsanleitung.
- Missbrauch des Fleischwolfs kann zu seiner Störung führen, den Benutzer oder sein Eigentum beschädigen und ist kein Garantiefall.
- Vergewissern Sie sich, dass die auf dem Bezeichnungszettel angegebene Betriebsspannung und die Netzspannung übereinstimmen.

ACHTUNG! Der Dauerbetrieb soll nicht 7 Minuten übersteigen, dann machen Sie mindestens eine 10-Minuten-Pause.

- Es ist nicht gestattet, das Gerät draußen zu benutzen.
- Es ist nicht empfohlen, das Gerät bei Gewitter zu benutzen.
- Stellen Sie den Fleischwolf auf eine trockene, ebene und standfeste Oberfläche fern von Wärmequellen, offenem Feuer und direkten Sonnenstrahlen und benutzen Sie ihn ebenda.
- Benutzen Sie das Gerät in direkter Nähe von Heizgeräten, Wärmequellen oder offenem Feuer nicht.

- Es ist verboten, den Fleischwolf an Orten zu verwenden, an denen Aerosole gelagert, verwendet oder gesprüht werden, sowie in der Nähe von leichtentzündbaren Flüssigkeiten.
- Schützen Sie das Gerät vor Stößen, Stürzen, Vibrationen und anderen mechanischen Einwirkungen.
- Sperren Sie keine Lüftungsöffnungen am Gerätegehäuse während des Fleischwolfbetriebs ab, das kann zur Überhitzung des Elektromotors führen.
- Lassen Sie das ans Stromnetz angeschlossene Gerät nie unbeaufsichtigt.
- Es ist nicht gestattet, das Fleischwolfgehäuse, das Netzkabel oder den Netzstecker ins Wasser oder jegliche andere Flüssigkeiten einzutauchen.
- Benutzen Sie das Gerät in der Nähe von Spülbecken, in Badezimmern und neben Wasserbecken oder anderen mit Wasser gefüllten Behältern nicht.
- Falls das Gerät ins Wasser gefallen ist, ziehen Sie den Netzstecker aus der Steckdose sofort heraus, erst danach holen Sie das Gerät aus dem Wasser heraus. Wenden Sie sich an einen autorisierten Kundendienst, um das Gerät prüfen oder reparieren zu lassen.
- Achten Sie darauf, dass das Netzkabel heiße Oberflächen und scharfe Möbelkanten nicht berührt.
- Behandeln Sie das Netzkabel vorsichtig, vermeiden Sie dessen Verdrehung und richten Sie das Netzkabel regelmäßig aus.

- Verwenden Sie das Netzkabel als Griff zum Tragen des Fleischwolfs nicht.
 - Berühren Sie das Gerätegehäuse, das Netzkabel und den Netzstecker mit nassen Händen nicht.
 - Trennen Sie das Gerät nach dem Gebrauch oder vor der Reinigung vom Stromnetz ab. Wenn Sie das Gerät vom Stromnetz abtrennen, halten Sie den Netzstecker fest und ziehen Sie ihn aus der Steckdose vorsichtig heraus; ziehen Sie das Netzkabel nicht, da es zu seiner Beschädigung und einem Kurzschluss führen kann.
 - Vor dem ersten Gerätebetrieb spülen Sie alle mit den Nahrungsmitteln zu kontaktierenden abnehmbaren Fleischwolftteile sorgfältig durch.
 - Benutzen Sie nur die mitgelieferten Fleischwolftteile.
 - Vergewissern Sie sich vor der Gerätenutzung, dass alle Fleischwolftteile korrekt aufgestellt sind.
 - Reinigen Sie das Fleischwolfgehäuse und die während des Betriebs verwendeten Teile regelmäßig.
 - Aus Kindersicherheitsgründen lassen Sie die als Verpackung verwendeten Plastiktüten nie ohne Aufsicht.
- ACHTUNG!**

 - Lassen Sie Kinder mit Plastiktüten oder Verpackungsfolien nicht spielen.
Erstickungsgefahr!
- Das Gerät ist nicht für Kinder bestimmt.
 - Beaufsichtigen Sie Kinder, damit sie das Gerät als Spielzeug nicht benutzen.
 - Lassen Sie Kinder das Gerätegehäuse, das Netzkabel oder den Netzstecker während des Gerätebetriebs nicht berühren.
 - Besondere Vorsichtsmaßnahmen sind in den Fällen angesagt, wenn sich Kinder oder behinderte Personen während des Gerätebetriebs in der Nähe aufhalten.
 - Während des Betriebs und der Pausen zwischen den Betriebszyklen stellen Sie das Gerät an einen für Kinder unzugänglichen Ort auf.
 - Das Gerät ist für Personen (darunter Kinder) mit Körper-, Nerven- oder Geistesstörungen oder Personen ohne ausreichende Erfahrung und Kenntnisse nicht geeignet, wenn sie sich unter Aufsicht der Person, die für ihre Sicherheit verantwortlich ist, nicht befinden oder entsprechende Anweisungen über die Gerätenutzung nicht bekommen haben.
 - Überprüfen Sie die Unversehrtheit des Netzkabels, bevor Sie den Fleischwolf verwenden. Wenn das Netzkabel beschädigt ist, soll es vom Hersteller, vom Kundendienst oder von ähnlich qualifiziertem Personal ersetzt werden, um Gefahren zu vermeiden.
 - Es ist nicht gestattet, das Gerät selbständig zu reparieren. Nehmen Sie das Gerät selbständig nicht auseinander; bei der Feststellung jeglicher

- Beschädigungen, sowie im Sturzfall, trennen Sie das Gerät vom Stromnetz ab und wenden Sie sich an einen Kundendienst.
- Um Beschädigungen zu vermeiden, transportieren Sie das Gerät nur in der Fabrikverpackung.
 - Bewahren Sie das Gerät an einem trockenen, kühlen und für Kinder und behinderte Personen unzugänglichen Ort auf.

DAS GERÄT IST NUR FÜR DEN GEBRAUCH IM HAUSHALT GEEIGNET, ES IST VERBOTEN, DAS GERÄT ZU GESCHÄFTS- ODER LABORZWECKEN ZU BENUTZEN.

VOR DER ERSTEN VERWENDUNG

Packen Sie das Gerät aus und warten Sie mindestens 3 Stunden ab, nachdem es bei einer negativen Temperatur transportiert oder aufbewahrt worden ist.

- Packen Sie das Gerät aus und entfernen Sie alle Verpackungsmaterialien.
- Bewahren Sie die Originalverpackung auf.
- Machen Sie sich mit den Sicherheitsmaßnahmen und Bedienungsempfehlungen bekannt.
- Prüfen Sie die Vollständigkeit.
- Prüfen Sie das Gerät auf Beschädigungen; wenn es beschädigt ist, schließen Sie es ans Stromnetz nicht an.

- Vergewissern Sie sich, dass die angegebenen Parameter der Geräteversorgungsspannung und die Stromnetzparameter übereinstimmen.
- Waschen Sie alle abnehmbaren Teile (2, 5, 6, 7, 8, 9, 10, 11, 12, 13) mit Warmwasser und einem neutralen Reinigungsmittel ab, spülen und trocknen Sie sie ab.
- Wischen Sie das Fleischwolfgehäuse mit einem leicht angefeuchteten Tuch, danach trocknen Sie es ab.

GRUNDSÄTZLICHE HINWEISE ZUM BETRIEB DES FLEISCHWOLFS

- Der Fleischwolf ist zum Fleisch- oder Fischhacken und Zubereitung von hausgemachten Halbprodukten nur im Haushalt bestimmt.

ACHTUNG!

Der Dauerbetrieb soll nicht 7 Minuten übersteigen, dann machen Sie mindestens eine 10-Minuten-Pause.

- Setzen Sie den Fleischwolf zusammen und benutzen Sie ihn auf einer trockenen, ebenen und standfesten Oberfläche fern von Wärmequellen, offenem Feuer und direkten Sonnenstrahlen.
- Vergewissern Sie sich, dass die Lüftungsöffnungen am Fleischwolfgehäuse mit keinen Fremdgegenständen gesperrt sind.

- Vergewissern Sie sich vor dem Hacken, dass alle Knochen und überschüssiges Fett entfernt sind.
- Es ist nicht gestattet, Nahrungsmittel mit harten Fasern (z.B. Ingwer oder Meerrettich) mit dem Fleischwolf zu hacken.
- Stellen Sie ein geeignetes Geschirr unter den Fleischwolfkopf (7).
- Schalten Sie den Fleischwolf ein und stoßen Sie das Fleisch mit dem Stopfer (5) langsam in den Fleischwolfkopf (7) durch.
- Während des Betriebs benutzen Sie nur den mitgelieferten Stopfer (5). Wenden Sie keine übermäßige Kraft an, um Fleisch oder andere Nahrungsmittel durchzustoßen.
- Stoßen Sie das Fleisch mit den Händen oder anderen Gegenständen nicht durch.
- Bei einer „Verstopfung“ während des Betriebs verwenden Sie die Reversierfunktion (Schneckenrückdrehung), um diese zu entfernen. Um den Reversierbetrieb zu aktivieren, schalten Sie den Fleischwolf aus, indem Sie den Betriebsschalter (1) auf „OFF“ stellen, dann halten Sie den Schalter (1) in der Position „R“ (Reversieren) gedrückt (nicht mehr als 5 Sekunden) und lassen Sie den Schalter (1) nach einigen Sekunden los.
- Schalten Sie den Fleischwolf nach dem Betrieb aus, indem Sie den Betriebsschalter (1) auf „OFF“ stellen, ziehen Sie das Netzkabel aus der Steckdose heraus und dann nehmen Sie ihn auseinander.

ZUBEREITUNG VON HACKFLEISCH

- Setzen Sie den Fleischwolfkopf (7) in den Aufstellplatz (4) ein (Abb. 1), drücken Sie die Verriegelungstaste (3) und drehen Sie den Fleischwolfkopf (7) entgegen dem Uhrzeigersinn bis zum Einrasten.
- Setzen Sie die Schnecke (8) ins Fleischwolfkopfgehäuse (7) ein.
- Setzen Sie das Kreuzmesser (9) auf.
- Wählen Sie die nötige Lochscheibe (10) und stellen Sie diese übers Messer auf, indem Sie die Vorsprünge an der Lochscheibe mit den Aussparungen im Fleischwolfkopfgehäuse (7) zusammenfallen lassen, schrauben Sie die Mutter (11) zu.
- Benutzen Sie immer nur den Stopfer (5) während des Betriebs.

ACHTUNG!

- Achten Sie beim Aufsetzen des Messers (9) darauf, dass die Schneidkanten des Messers (9) zur Lochscheibe (10) gerichtet sind. Falls das Messer falsch aufgesetzt ist, wird es das Fleisch nicht hacken.
- Die Lochscheibe (10) mit kleineren Löchern ist zum Hacken sowohl von Rohfleisch, als auch von zubereitetem Fleisch, Fisch usw. geeignet.
- Die Lochscheibe (10) mit größeren Löchern ist zum Hacken von Rohfleisch, Fisch, Gemüse, Trockenobst, Käse, u.ä. geeignet.

- Stellen Sie die Nahrungsmittelschale (6) auf den Fleischwolfkopf (7) auf.
- Stecken Sie den Netzstecker in eine Steckdose ein.
- Schalten Sie den Fleischwolf ein, indem Sie den Betriebsschalter (1) auf „ON“ stellen.
- **Empfehlungen:**
 - Gefrorenes Fleisch muss vollständig aufgetaut sein. Um das Fleischhacken zu verbessern, schneiden Sie es in Streifen (20x20x60 mm) oder Würfel (20x20x20 mm) ein.
 - Während des Betriebs benutzen Sie nur den mitgelieferten Stopfer (5). Wenden Sie keine übermäßige Kraft an, um Fleisch oder andere Nahrungsmittel durchzustoßen.
- Stoßen Sie das Fleisch mit den Händen oder anderen Gegenständen nicht durch.
- Schalten Sie den Fleischwolf nach dem Betrieb aus, indem Sie den Betriebsschalter (1) auf „OFF“ stellen, ziehen Sie das Netzkabel aus der Steckdose heraus und dann nehmen Sie ihn auseinander.
- Um den Fleischwolfkopf (7) auseinanderzunehmen, schrauben Sie die Mutter (11) entgegen dem Uhrzeigersinn ab, nehmen Sie die aufgesetzte Lochscheibe (10) aus dem Fleischwolfkopfgehäuse (7) heraus und nehmen Sie das Kreuzmesser (9) und die Schnecke (8) heraus.
- Um den Fleischwolfkopf (7) abzunehmen, drücken Sie die Verriegelungstaste (3), drehen Sie den Fleischwolfkopf (7) im Uhrzeigersinn und nehmen Sie ihn ab.

KEBBEZUBEREITUNG

- Kebbe, Kibbeh oder Kube ist ein mediterranes Gericht aus Rind- oder Schafffleisch, Weizenmehl und Gewürzen.
- Mit dem Kebbeaufsatz (13) werden Hohlrollen aus der Grundmasse zubereitet. Die Hohlrollen werden gefüllt und frittiert. Experimentieren Sie mit der Zubereitung der Rollenfüllung.
- Das ist ein Musterrezept für Kebbe, andere Rezepte finden Sie im Internet.
- **Füllung**
 - Schafffleisch 100 g
 - 1,5 Esslöffel Olivenöl
 - 1,5 Esslöffel Knollenzwiebel (fein gehackt)
 - Gewürze nach Geschmack
 - 1/4 Teelöffel Salz
 - 1 oder 1/2 Esslöffel Mehl
- Den Fleischwolf zusammensetzen (siehe den Abschnitt „ZUBEREITUNG VON HACKFLEISCH“).
- Schafffleisch mit dem Fleischwolf ein- oder zweimal hacken.
- Knollenzwiebel goldbraun anbraten und dann das gehackte Schafffleisch, Gewürze, Mehl und Salz hinzufügen.
- **Grundmasse für Hohlrollen zubereiten**
 - 450-500 g mageres Fleisch (Rind- oder Schafffleisch)
 - 150-200 g Mehl

- 1 Teelöffel Gewürze (nach Geschmack)
- 1 Stk Muskatnuß
- Gemahlener roter Pfeffer (nach Geschmack)
- Schwarzer Pfeffer (nach Geschmack)
- Fleisch im Fleischwolf dreimal hacken, Muskatnuss getrennt zerkleinern, dann alle Zutaten zusammenmischen.
- Mehr Fleisch und weniger Mehl in der Rolle verbessern die Konsistenz und den Geschmack des fertigen Gerichts.

Rollenzubereitung

- Setzen Sie den Fleischwolfkopf (7) in den Aufstellplatz (4) auf.
- Setzen Sie die Schnecke (8) ins Fleischwolfkopfgehäuse (7) ein, setzen Sie die Kebbeaufsätze (13) auf die Schnecke auf; achten Sie darauf, dass die Vorsprünge am Aufsatz (13) mit den Aussparungen im Fleischwolfkopfgehäuse (7) zusammenfallen (Abb. 2), und schrauben Sie die Mutter (11) zu.
- Setzen Sie die Nahrungsmittelschale (6) auf.
- Legen Sie die fertige Grundmasse auf die Nahrungsmittelschale (6).
- Stecken Sie den Netzstecker in eine Steckdose ein.
- Schalten Sie den Fleischwolf ein, indem Sie den Betriebsschalter (1) auf „ON“ stellen.
- Führen Sie die Rollengrundmasse mit dem Stopfer (5) zu.

- Schneiden Sie die fertigen Rollen von erforderlicher Länge auf.
- Schalten Sie den Fleischwolf nach dem Betrieb aus, indem Sie den Betriebsschalter (1) auf „OFF“ stellen, ziehen Sie das Netzkabel aus der Steckdose heraus und dann nehmen Sie ihn auseinander.
- Schrauben Sie die Mutter (11) entgegen dem Uhrzeigersinn ab und nehmen Sie die Kebbeaufsätze (13) und die Schnecke (8) heraus.
- Um den Fleischwolfkopf (7) abzunehmen, drücken Sie die Verriegelungstaste (3), drehen Sie den Fleischwolfkopf (7) im Uhrzeigersinn und nehmen Sie ihn ab.

WURSTHÜLLENFÜLLUNG

- Bereiten Sie das Hackfleisch zu.
- Setzen Sie den Fleischwolfkopf (7) in den Aufstellplatz (4) auf.
- Setzen Sie die Schnecke (8) ins Fleischwolfkopfgehäuse (7) ein, setzen Sie das Teil des Kebbeaufsatzes (13) und den Würstchenfülleraufsatz (12) auf die Schnecke (8) auf und schrauben Sie die Mutter (11) zu (Abb. 3).
- Setzen Sie die Nahrungsmittelschale (6) auf.
- Legen Sie die natürliche Hülle für 10-15 Minuten in einen Behälter mit Warmwasser.
- Ziehen Sie die erweichte Hülle auf den Aufsatz (12) an und binden Sie einen Knoten am Ende der Hülle.

- Legen Sie das fertige Hackfleisch auf die Nahrungsmittelschale (6).
- Stecken Sie den Netzstecker in eine Steckdose ein.
- Schalten Sie den Fleischwolf ein, indem Sie den Betriebsschalter (1) auf „ON“ stellen.
- Für die Zufuhr des fertigen Hackfleisches benutzen Sie den Stopfer (5) (Abb. 3), ziehen Sie die Hülle je nach dem Auffüllen vom Aufsatz (12) langsam ab, feuchten Sie die Hülle je nachdem sie trocknet mit Wasser an.
- Schalten Sie den Fleischwolf nach dem Betrieb aus, indem Sie den Betriebsschalter (1) auf „OFF“ stellen, ziehen Sie das Netzkabel aus der Steckdose heraus und dann nehmen Sie den Fleischwolf auseinander.
- Schrauben Sie die Mutter (11) ab, entfernen Sie die Aufsätze (12) und (13) und nehmen Sie die Schnecke (8) heraus.
- Um den Fleischwolfkopf (7) abzunehmen, drücken Sie die Verriegelungstaste (3), drehen Sie den Fleischwolfkopf (7) im Uhrzeigersinn und nehmen Sie ihn ab.
- Waschen Sie alle im Betrieb benutzten abnehmbaren Teile mit Warmwasser und einem neutralen Reinigungsmittel, spülen und trocknen Sie sie ab.
- Wischen Sie das Fleischwolfgehäuse mit einem leicht angefeuchteten Tuch, danach trocknen Sie es ab.
- Verwenden Sie keine Scheuer- oder Lösungsmittel zum Reinigen des Fleischwolfgehäuses.
- Lassen Sie keine Flüssigkeiten ins Fleischwolfgehäuse gelangen.
- Spülen Sie die benutzten abnehmbaren Fleischwolftteile nach dem Hacken von salzigen oder sauren Nahrungsmitteln mit Wasser ab.
- Gemüse mit färbenden Eigenschaften (wie Karotte oder Rübe) kann die Fleischwolftteile färben, wischen Sie die Fleischwolftteile mit einem mit Pflanzenöl angefeuchteten Tuch ab und dann waschen Sie sie mit einem neutralen Reinigungsmittel, spülen und trocknen Sie sie ab.
- Halten Sie den Fleischwolf beim Tragen am Griff.

REINIGUNG UND PFLEGE

- Schalten Sie den Fleischwolf nach dem Betrieb aus, indem Sie den Betriebsschalter (1) auf „OFF“ stellen, ziehen Sie das Netzkabel aus der Steckdose heraus und dann nehmen Sie den Fleischwolf auseinander.

AUFBEWAHRUNG

- Bevor Sie den Fleischwolf zur Aufbewahrung wegpacken, vergewissern Sie sich, dass das Fleischwolfgehäuse und alle abnehmbaren Teile sauber und trocken sind.
- Zum Aufzubewahren der Lochscheiben (10) nutzen Sie das Fach (2).

- Bewahren Sie das Gerät an einem trockenen, kühlen und für Kinder und behinderte Personen unzugänglichen Ort auf.

LIEFERUMFANG

1. Fleischwolf — 1 Stk.
2. Stopfer — 1 Stk.
3. Nahrungsmittelschale — 1 Stk.
4. Lochscheiben — 2 Stk.
5. Wurstfülleraufsatz — 1 Stk.
6. Kebbeaufsatz — 1 Stk.
7. Bedienungsanleitung — 1 Stk.

TECHNISCHE EIGENSCHAFTEN

- Stromversorgung: 220-240 V, ~ 50 Hz
- Nennleistungsaufnahme: 600 W
- Maximale Leistung: 1300 W

ENTSORGUNG



Um möglichen Schaden für die Umwelt oder die menschliche Gesundheit durch unkontrollierte Abfallentsorgung zu vermeiden, werfen Sie das Gerät und die Batterien (falls mitgeliefert) nach Beendigung ihrer Nutzungsdauer zusammen mit gewöhnlichen Haushaltsabfällen nicht weg, geben Sie das Gerät und die Batterien in die Spezialpunkte für weitere Entsorgung über.

Die bei Entsorgung der Erzeugnisse entstehenden Abfälle sind unbedingt zu sammeln und weiter ordnungsmäßig zu entsorgen.

Mehrere Information zur Entsorgung dieses Produkts erhalten Sie bei Ihrer lokalen Stadtverwaltung, einem Abfallentsorgungsdienst oder beim Geschäft, wo Sie dieses Produkt gekauft haben.

Der Hersteller behält sich das Recht vor, das Design, die Konstruktion und die das gemeine Gerätebetriebsprinzip nicht beeinflussenden technischen Eigenschaften ohne Vorbenachrichtigung zu verändern.

Die Gerätenutzungsdauer beträgt 3 Jahre

Das Herstellungsdatum ist in der Fabrikationsnummer angegeben.

Bei Störungsfeststellung wenden Sie sich baldigst an einen autorisierten Kundendienst.

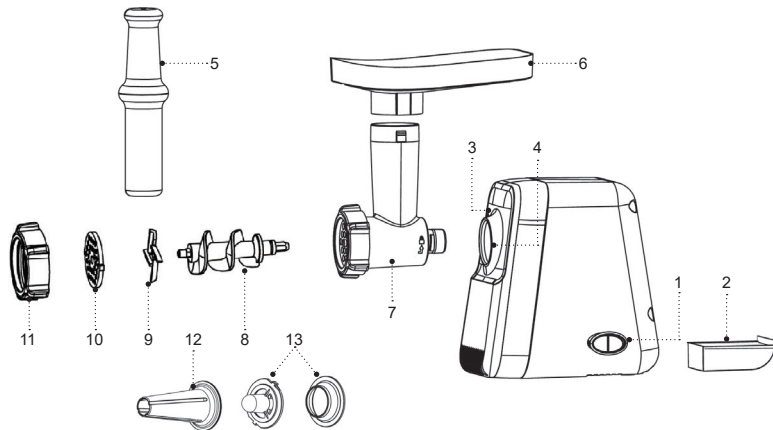
МЯСОРУБКА BR1601

Электрическая мясорубка предназначена для приготовления мясного или рыбного фарша и приготовления домашних полуфабрикатов.

ОПИСАНИЕ

1. Переключатель режимов работы (ON/OFF/R)
2. Лоток для решёток
3. Кнопка фиксатора головки мясорубки

4. Установочное место головки мясорубки
5. Толкатель
6. Лоток для продуктов
7. Корпус головки мясорубки
8. Шнек
9. Крестообразный нож
10. Решётки для мелкой и крупной рубки продуктов
11. Гайка головки мясорубки
12. Насадка для набивки колбасок
13. Насадки для кеббе



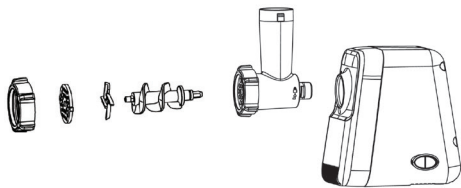


Рис. 1

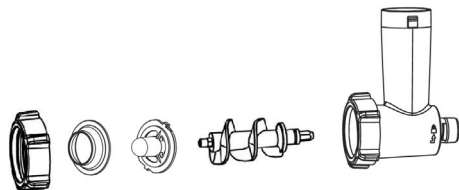


Рис. 2

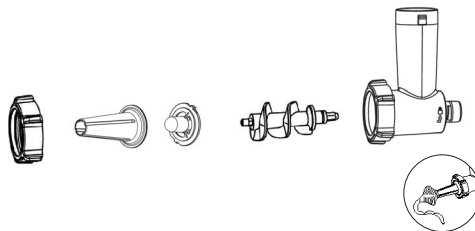


Рис. 3

МЕРЫ БЕЗОПАСНОСТИ И РЕКОМЕНДАЦИИ ПО ЭКСПЛУАТАЦИИ

Перед использованием мясорубки внимательно ознакомьтесь с руководством по эксплуатации, после прочтения сохраните его для использования в будущем.

- Используйте устройство только по его прямому назначению, как изложено в данной инструкции.
- Неправильное обращение с мясорубкой может привести к её поломке, причинению вреда пользователю или его имуществу и не является гарантийным случаем.
- Убедитесь, что рабочее напряжение устройства, указанное на этикетке, соответствует напряжению электросети.

ВНИМАНИЕ! Время непрерывного цикла работы не должно превышать 7 минут, после двух циклов работы сделайте перерыв не менее 10 минут.

- Запрещается использовать устройство вне помещений.
- Не рекомендуется использовать устройство во время грозы.
- Устанавливайте и используйте мясорубку на сухой, ровной и устойчивой поверхности, вдали от источников тепла, открытого пламени и прямых солнечных лучей.
- Не используйте устройство в непосредственной близости от нагревательных приборов, источников тепла или открытого пламени.

- Запрещается использовать мясорубку в местах, где хранятся, используются или распыляются аэрозоли, а также вблизи от легковоспламеняющихся жидкостей.
- Оберегайте устройство от ударов, падений, вибраций и иных механических воздействий.
- Во время работы мясорубки не закрывайте вентиляционные отверстия на корпусе устройства, это может привести к перегреву электромотора.
- Не оставляйте устройство, включённое в сеть, без присмотра.
- Не погружайте корпус мясорубки, шнур питания или вилку шнура питания в воду или любые другие жидкости.
- Не используйте устройство вблизи от кухонной раковины, в ванных комнатах, около бассейнов или других ёмкостей, наполненных водой.
- Если устройство упало в воду, немедленно выньте вилку шнура питания из электрической розетки, и только после этого можно достать устройство из воды. Обратитесь в сервисный центр для осмотра или ремонта устройства.
- Не допускайте, чтобы шнур питания касался горячих поверхностей и острых кромок мебели.
- Аккуратно обращайтесь со шнуром питания, не допускайте перекручивания и периодически распрямляйте шнур питания.
- Запрещается использовать шнур питания в качестве ручки для переноски мясорубки.

- Не прикасайтесь к корпусу устройства, к шнуру питания и к вилке шнура питания мокрыми руками.
 - Отключайте устройство от электросети после использования или перед чисткой. При отключении устройства от электрической сети держитесь за вилку шнура питания, и аккуратно выньте её из электрической розетки, не тяните за шнур питания — это может привести к его повреждению и вызвать короткое замыкание.
 - Перед первым использованием устройства тщательно промойте съёмные детали мясорубки, которые будут контактировать с продуктами.
 - Используйте только детали мясорубки, которые входят в комплект поставки.
 - Перед использованием устройства, убедитесь, что все детали мясорубки установлены правильно.
 - Регулярно проводите чистку корпуса мясорубки и деталей, которые были использованы во время работы.
 - Из соображений безопасности детей не оставляйте полиэтиленовые пакеты, используемые в качестве упаковки, без надзора.
- Устройство не предназначено для использования детьми.
 - Осуществляйте надзор за детьми, чтобы не допустить использования устройства в качестве игрушки.
 - Не разрешайте детям прикасаться к корпусу устройства, к шнуру питания или к вилке шнура питания во время работы устройства.
 - Будьте особенно внимательны, если поблизости от работающего устройства находятся дети или лица с ограниченными возможностями.
 - Во время работы и в перерывах между рабочими циклами размещайте устройство в местах, недоступных для детей.
 - Прибор не предназначен для использования лицами (включая детей) с пониженными физическими, сенсорными, психическими или умственными способностями, или при отсутствии у них опыта или знаний, если они не находятся под контролем или не проинструктированы лицом, ответственным за их безопасность, об использовании прибора.
 - Проверьте целостность шнура питания перед использованием мясорубки. При повреждении шнура питания его замену, во избежание опасности, должны производить изготовитель, сервисная служба или подобный квалифицированный персонал.

ВНИМАНИЕ!

Не разрешайте детям играть с полиэтиленовыми пакетами или упаковочной плёнкой. **Опасность удушья!**

- Запрещается самостоятельно ремонтировать устройство. Не разбирайте устройство самостоятельно, при возникновении любых неисправностей, а также после падения устройства отключите его от электросети и обратитесь сервисный центр.
- Во избежание повреждений перевозите устройство в заводской упаковке.
- Храните устройство в сухом прохладном месте, недоступном для детей и людей с ограниченными возможностями.

УСТРОЙСТВО ПРЕДНАЗНАЧЕНО ТОЛЬКО ДЛЯ БЫТОВОГО ИСПОЛЬЗОВАНИЯ, ЗАПРЕЩАЕТСЯ ИСПОЛЬЗОВАТЬ УСТРОЙСТВО В КОММЕРЧЕСКИХ ИЛИ ЛАБОРАТОРНЫХ ЦЕЛЯХ.

ПЕРЕД ПЕРВЫМ ИСПОЛЬЗОВАНИЕМ

После транспортировки или хранения устройства при отрицательной температуре, распакуйте его и подождите не менее 3 часов перед использованием.

- Распакуйте устройство и удалите все упаковочные материалы.
- Сохраните заводскую упаковку.
- Ознакомьтесь с мерами безопасности и рекомендациями по эксплуатации.
- Проверьте комплектацию.

- Осмотрите устройство на наличие повреждений, при наличии повреждений не включайте его в сеть.
- Убедитесь, что указанные параметры напряжения питания устройства соответствуют параметрам электрической сети.
- Промойте все съёмные детали (2, 5, 6, 7, 8, 9, 10, 11, 12, 13) тёплой водой с нейтральным моющим средством, ополосните и просушите.
- Корпус мясорубки протрите слегка влажной тканью, после этого вытрите насухо.

ОСНОВНЫЕ СОВЕТЫ ПО ИСПОЛЬЗОВАНИЮ МЯСОРУБКИ

- Мясорубка предназначена только для бытового использования для приготовления мясного или рыбного фарша и приготовления домашних полуфабрикатов.

ВНИМАНИЕ!

Время непрерывного цикла работы не должно превышать 7 минут, после двух циклов работы сделайте перерыв не менее 10 минут.

- Соберите и используйте мясорубку на сухой, ровной и устойчивой поверхности, вдали от источников тепла, открытого пламени и прямых солнечных лучей.

- Убедитесь в том, что вентиляционные отверстия на корпусе мясорубки не заблокированы посторонними предметами.
- Перед началом приготовления фарша убедитесь в том, что все кости и излишки жира удалены.
- Запрещается перерабатывать мясорубкой пищевые продукты с твёрдыми волокнами (например, имбирь или хрен).
- Поставьте под головку мясорубки (7) подходящую посуду.
- Включите мясорубку и, не торопясь, проталкивайте мясо в головку мясорубки (7) при помощи толкателя (5).
- Во время работы используйте только толкатель (5), входящий в комплект поставки. Не прилагайте чрезмерных усилий для проталкивания мяса или других продуктов.
- Запрещается проталкивать мясо руками или любыми другими предметами.
- Если во время работы образовался «затор», для его устранения используйте функцию реверса (обратного вращения шнека). Для включения режима реверса, выключите мясорубку, установив переключатель режимов работы (1) в положение «OFF», затем нажмите и удерживайте переключатель (1) в положении «R» (реверс), через несколько секунд (не более 5 секунд), отпустите переключатель (1).

- После окончания работы, выключите мясорубку, установив переключатель режимов работы (1) в положение «OFF», выньте вилку шнура питания из электрической розетки, после этого приступайте к её разборке.

ПРИГОТОВЛЕНИЕ ФАРША

- Вставьте головку мясорубки (7) в установочное место (4) (рис. 1), нажмите на кнопку фиксатора (3) и поверните головку мясорубки (7) против часовой стрелки до фиксации.
- Вставьте шнек (8) в корпус головки мясорубки (7).
- Установите крестообразный нож (9).
- Выберите одну необходимую решётку (10) и установите её поверх ножа, совместив выступы на решётке с пазами в корпусе головки мясорубки (7), закрутите гайку (11).
- Всегда во время работы используйте только толкатель (5).

ВНИМАНИЕ!

- При установке ножа (9) следите за тем, чтобы режущие кромки ножа (9) были направлены к решётке (10). Если нож будет установлен неправильно, он не будет выполнять функцию рубки мяса.

- Решётка (10) с мелкими отверстиями может использоваться для переработки как сырого, так и приготовленного мяса, рыбы и т.п.
- Решётка (10) с более крупными отверстиями может использоваться для переработки сырого мяса, рыбы, овощей, сухофруктов, сыра и т.п.

- Установите на головку мясорубки (7) лоток для продуктов (6).
- Вставьте вилку шнура питания в электрическую розетку.
- Включите мясорубку, установив переключатель режимов работы (1) в положение «ON».
- **Рекомендации:**
 - Замороженное мясо необходимо полностью разморозить. Для улучшения процесса переработки мяса нарежьте его полосками (20x20x60 мм) или кубиками (20x20x20 мм).
 - Во время работы используйте только толкатель (5), входящий в комплект поставки. Не прилагайте чрезмерных усилий для проталкивания мяса или других продуктов.
 - Запрещается проталкивать мясо руками или любыми другими предметами.
- После окончания работы выключите мясорубку, установив переключатель режимов работы (1) в положение «OFF», выньте вилку шнура питания из электрической розетки, после этого приступайте к её разборке.

- Для разборки головки мясорубки (7), открутите гайку (11) поворачивая её против часовой стрелки, выньте из корпуса головки мясорубки (7) установленную решётку (10), выньте крестообразный нож (9) и шнек (8).
- Для снятия головки мясорубки (7) нажмите на кнопку фиксатора (3), поверните головку мясорубки (7) по часовой стрелке и снимите её.

ПРИГОТОВЛЕНИЕ КЕББЕ

- Кеббе, Киббех или кубэ — блюдо средиземноморской кухни, которое готовят из мяса говядины или баранины, пшеничной муки и специй.
- С помощью насадки кеббе (13) из основы изготавливаются полые трубочки. Трубочки наполняются начинкой и обжариваются во фритюре. Экспериментируйте с приготовлением начинки для наполнения трубочек.
- Приведён примерный рецепт приготовления кеббе, найти другие рецепты можно в интернете.
- **Начинка**
 - Баранина 100 г
 - Оливковое масло 1,5 столовой ложки
 - Репчатый лук (мелко нашинкованный) 1,5 столовой ложки
 - Пряности по вкусу
 - Соль 1/4 чайной ложки
 - Мука 1 столовая ложка или 1/2 столовой ложки
- Соберите мясорубку (см. раздел «ПРИГОТОВЛЕНИЕ ФАРША»).

- Измельчите баранину в мясорубке один или два раза.
- Обжарьте репчатый лук до золотистого цвета, затем добавьте бараний фарш, пряности, муку и соль.
- **Приготовьте основу для трубочек**
 - Постное мясо (говядина или баранина) 450-500 г
 - Мука 150-200 г
 - Пряности 1 чайная ложка (по вкусу)
 - Мускатный орех 1 шт.
 - Красный молотый перец (по вкусу)
 - Чёрный перец (по вкусу)
- Мясо измельчите в мясорубке три раза, отдельно измельчите мускатный орех, затем смешайте все ингредиенты.
- Больше количество мяса и меньше количество муки в трубочке улучшает консистенцию и вкус готового продукта.

Приготовление трубочек

- Установите головку мясорубки (7) в установочное место (4).
- Установите шнек (8) в корпус головки мясорубки (7), установите на шнек насадки для кеббе (13), следите за тем, чтобы выступы на насадке (13) совпали с пазами в корпусе головки мясорубки (7) (рис. 2), заверните гайку (11).

- Установите лоток для продуктов (6).
- Выложите готовую основу для трубочек на лоток для продуктов (6).
- Вставьте вилку шнура питания в электрическую розетку.
- Включите мясорубку, установив переключатель режимов работы (1) в положение «ON».
- Для подачи основы для трубочек используйте толкатель (5).
- Отрежьте готовые трубочки необходимой длины.
- После окончания работы, выключите мясорубку, установив переключатель режимов работы (1) в положение «OFF» и выньте вилку шнура питания из электрической розетки, после этого приступайте к её разборке.
- Отверните гайку (11), поворачивая её против часовой стрелки и выньте насадки для кеббе (13), выньте шнек (8).
- Для снятия головки мясорубки (7) нажмите на кнопку фиксатора (3), поверните головку мясорубки (7) по часовой стрелке и снимите её.

НАБИВКА ОБОЛОЧКИ ДЛЯ КОЛБАСОК

- Приготовьте фарш.
- Установите головку мясорубки (7) в установочное место (4).
- Установите шнек (8) в корпус головки мясорубки (7), установите на шнек (8) деталь от насадки кеб-

бе (13), насадку для набивки колбасок (12), затем закрутите гайку (11) (рис. 3).

- Установите лоток для продуктов (6).
- Поместите натуральную оболочку её в ёмкость с тёплой водой на 10-15 минут.
- Натяните размягчённую оболочку на насадку (12), завяжите на конце оболочки узел.
- Выложите готовый фарш на лоток для продуктов (6).
- Вставьте вилку шнура питания в электрическую розетку.
- Включите мясорубку, установив переключатель режимов работы (1) в положение «ON».
- Для подачи готового фарша используйте толкатель (5) (рис. 3), по мере заполнения оболочки сдвигайте её с насадки (12), по мере высыхания оболочки смачивайте её водой.
- После окончания работы, выключите мясорубку, установив переключатель режимов работы (1) в положение «OFF» и выньте вилку шнура питания из электрической розетки, после этого приступайте к её разборке.
- Отверните гайку (11), снимите насадки (12) и (13), выньте шнек (8).
- Для снятия головки мясорубки (7) нажмите на кнопку фиксатора (3), поверните головку мясорубки (7) по часовой стрелке и снимите её.

ЧИСТКА И УХОД

- После окончания работы выключите мясорубку, установив переключатель режимов работы (1) в положение «OFF» и выньте вилку шнура питания из электрической розетки, после этого приступайте к её разборке.
- Промойте все съёмные детали, которые использовались для работы, тёплой водой с нейтральным моющим средством, ополосните и просушите.
- Протрите корпус мясорубки влажной тканью, после чего вытрите насухо.
- Для чистки корпуса мясорубки запрещается использовать абразивные чистящие средства или растворители.
- Не допускайте попадания жидкости в корпус мясорубки.
- После переработки солёных или кислых продуктов, ополосните водой съёмные детали мясорубки, которые использовались.
- Овощи с красящими свойствами (например, морковь или свёкла) могут окрасить детали мясорубки, протрите детали мясорубки тканью, смоченной растительным маслом, после чего промойте их с нейтральным моющим средством, ополосните и просушите.
- Переносите мясорубку, держась за ручку.

ХРАНЕНИЕ

- Перед тем, как убрать мясорубку на хранение, убедитесь в том, что корпус мясорубки и все съёмные детали, чистые и сухие.
- Для хранения решёток (10) используйте лоток (2).
- Храните устройство в сухом прохладном месте, недоступном для детей и людей с ограниченными возможностями.

КОМПЛЕКТ ПОСТАВКИ

1. Мясорубка — 1 шт.
2. Толкатель — 1 шт.
3. Лоток для продуктов — 1 шт.
4. Решётки — 2 шт.
5. Насадка для набивки колбасок — 1 шт.
6. Насадка для приготовления кеббе — 1 шт.
7. Инструкция по эксплуатации — 1 шт.

ТЕХНИЧЕСКИЕ ХАРАКТЕРИСТИКИ

- Электропитание: 220-240 В, ~ 50 Гц
- Номинальная потребляемая мощность: 600 Вт
- Максимальная мощность: 1300 Вт

УТИЛИЗАЦИЯ



Чтобы предотвратить возможный вред окружающей среде или здоровью людей от неконтролируемой утилизации отходов, после окончания срока службы

устройства или элементов питания (если входят в комплект), не выбрасывайте их вместе с обычными бытовыми отходами, передайте прибор и элементы питания в специализированные пункты для дальнейшей утилизации.

Отходы, образующиеся при утилизации изделий, подлежат обязательному сбору с последующей утилизацией в установленном порядке.

Для получения дополнительной информации об утилизации данного продукта обратитесь в местный муниципалитет, службу утилизации бытовых отходов или в магазин, где Вы приобрели данный продукт.

Производитель сохраняет за собой право изменять дизайн, конструкцию и технические характеристики, не влияющие на общие принципы работы устройства, без предварительного уведомления.

Срок службы устройства — 3 года

Дата производства указана в серийном номере.

В случае обнаружения каких-либо неисправностей необходимо обратиться в авторизованный сервисный центр.

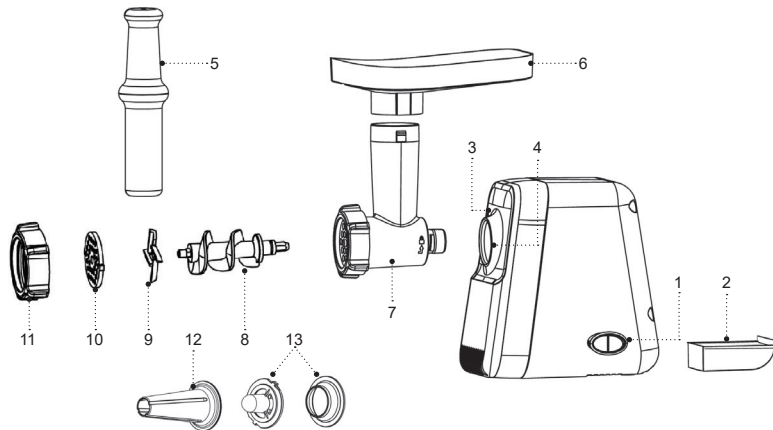
ЕТТАРТҚЫШ BR1601

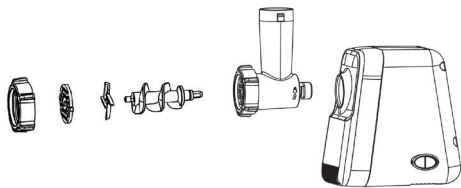
Электр еттартқыш ет немесе балық фаршын дайындауға және үйдің жартылай өнімдерін дайындауға арналған.

СИПАТТАМАСЫ

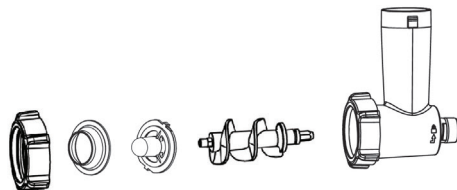
1. Жұмыс режимдері ауыстырғышы (ON/OFF/R)
2. Торларға арналған астауша
3. Еттартқыш бастиегін бекіту батырмасы

4. Еттартқыш бастиегін орнату орны
5. Итергіш
6. Өнімдерге арналған астауша
7. Еттартқыш бастиегінің корпусы
8. Иірімек
9. Крест тәрізді пышақ
10. Өнімдерді ұсақ және ірі турауға арналған торлар
11. Еттартқыш бастиегінің сомыны
12. Шұжықшаларды толтыруға арналған қондырма
13. Кеббеге арналған қондырма

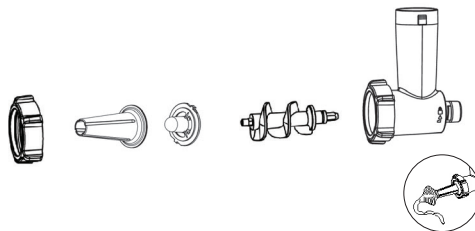




Cyp. 1



Cyp. 2



Cyp. 3

ҚАУІПСІЗДІК ШАРАЛАРЫ ЖӘНЕ ПАЙДАЛА- НУҒА БЕРУ ЖӨНІНДЕГІ НҰСҚАУЛЫҚТАР

Еттартқышты пайдалану алдында қолдану жөніндегі басшылықпен мұқият танысып шығыңыз, оқыған соң, болашақта пайдалану үшін сақтап қойыңыз.

- Құрылғыны осы нұсқаулықта баяндалғандай, оның тікелей тағайыны бойынша ғана пайдаланыңыз.
- Еттартқышты дұрыс қолданбау оның бұзылуына, және пайдаланушыға немесе оның мүлкіне зиян келтіруге әкеп соғуы мүмкін және кепілдік жағдайы болып табылмайды.
- Заттаңбада көрсетілген құрылғының жұмыс кернеуі, электр желісінің кернеуіне сәйкес екеніне көз жеткізіңіз.

НАЗАР АУДАРЫҢЫЗ! Үздіксіз жұмыс істеу уақыты 7 минуттан аспауы керек, содан кейін 10 минуттан кем емес уақытқа үзіліс жасаңыз.

- Құрылғыны үй-жайдан тыс жерде пайдалануға тыйым салынады.
- Құрылғыны найзағай кезінде пайдалану ұсынылмайды.
- Еттартқышты тек құрғақ, тегіс және тұрақты бетке орнатыңыз, жылу, ашық жалын және тікелей күн сәулесі көздерінен алыс жерде пайдаланыңыз.
- Құрылғыны жылыту аспаптарының, ашық оттың немесе жылу көздерінің тікелей жанында пайдаланбаңыз.

- Еттартқышты аэрозольдар пайдаланылатын немесе шашырайтын жерлерде, сондай-ақ тез тұтанатын сұйықтықтарға жақын жерлерде пайдалануға тыйым салынады.
- Құрылғыны соққыдан, құлаудан, дірілден және басқа да механикалық әсерлерден сақтаңыз.
- Еттартқыштың жұмыс істеуі барысында құрылғы корпусындағы желдету саңылауларын жаппаңыз, бұл электромотордың қызып кетуіне әкеп соғуы мүмкін.
- Желіге қосылған құрылғыны, қараусыз қалдырмаңыз.
- Еттартқыш корпусын, қуаттандыру бауын немесе қуаттандыру бауының ашасын суға немесе кез-келген басқа сұйықтықтарға салмаңыз.
- Құрылғыны асүйлік раковинасына жақын жерде, жуынатын бөлмеде, бассейндер немесе басқа да су толтырылған сыйымдылықтарға жақын жерде пайдаланбаңыз.
- Егер құрылғы суға құлап кетсе, дереу қуаттандыру бауының ашасын электр розеткасынан суырыңыз, содан кейін ғана құрылғыны судан алып шығуға болады. Құрылғыны тексерту немесе жөндеу үшін сервис орталығына жүгініңіз.
- Қуаттандыру бауы ыстық беттерге және жиһаздың өткір жиектеріне тиюін болдырмаңыз.
- Қуаттандыру бауын ұқыпты ұстаңыз, бұралып қалуына жол бермеңіз және қуаттандыру бауын мезгілімен түзетіп отырыңыз.

- Қуаттандыру бауын еттартқышты тасымалдауға арналған қолсап ретінде пайдалануға тыйым салынады.
- Құрылғы корпусын, қуаттандыру бауын және қуаттандыру бауының ашасын су қолмен ұстамаңыз.
- Құрылғыны пайдаланып болғаннан кейін немесе тазалау алдында электр желісінен ажыратыңыз. Құрылғыны электр желісінен ажыратқан кезде тек желі бауының ашасынан ұстаңыз, және оны электр розеткасынан абайлап шығарыңыз, қуаттандыру бауынан тартпаңыз — бұл оның зақымдануына әкеліп, қысқа тұйықталуын тудыруы мүмкін.
- Құрылғыны алғаш пайдалану алдында өнімдермен түйісетін, еттартқыштың барлық шешіlmелі бөлшектерін мұқият жуыңыз.
- Жеткізілім жиынтығына кіретін еттартқыш бөлшектерін ғана пайдаланыңыз.
- Құрылғыны қосу алдында, еттартқыштың барлық шешіlmелі бөлшектерінің дұрыс орнатылғанына көз жеткізіңіз.
- Жұмыс кезінде пайдаланылған, еттартқыш корпусы мен бөлшектерін мезгілімен тазалап отырыңыз.
- Балалардың қауіпсіздігі үшін қаптама ретінде пайдаланылатын, полиэтилен пакеттерді қадағалаусыз қалдырмаңыз.

НАЗАР АУДАРЫҢЫЗ!

Балаларға полиэтилен пакеттермен немесе қаптамалық үлдірмен ойнауға рұқсат етпеңіз. **Тұншығу қаупі бар!**

- Құрылғы балалардың пайдалануына тағайындалмаған.
- Құрылғыны ойыншық ретінде пайдалануға жол бермеу үшін, балаларды қадағалаңыз.
- Балаларға құрылғы жұмыс істеп тұрған кезде моторлық блок корпусын, қуаттандыру бауына және қуаттандыру бауының ашасын ұстауға рұқсат етпеңіз.
- Егер жұмыс істеп тұрған құрылғының жанында балалар немесе мүмкіндіктері шектеулі адамдар болса, онда ерекше назарда болыңыз.
- Жұмыс істеу уақытында және жұмыс циклдері арасындағы үзілістерде құрылғыны балалардың қолы жетпейтін жерге орналастырыңыз.
- Дене, жүйке немесе сана мүмкіндіктері төмендетілген тұлғалардың (балаларды қоса алғанда) немесе оларда тәжірибесі немесе білімі болмаса, егер олар бақыланбаса немесе олардың қауіпсіздігі үшін жауап беретін тұлғамен аспапты пайдалану туралы нұсқаулықтар берілген болмаса, аспап олардың пайдалануына арналмаған.
- Еттартқышты қолданар алдында қуаттандыру бауының бүтіндігін тексеріңіз. Қуаттандыру бауы

- зақымданда, қауіп тудырмау үшін оны дайындаушы, сервистік қызмет немесе баламалы білікті маман ауыстыруы тиіс.
- Құрылғыны өздігінен жөндеуге тыйым салынады. Құрылғыны өздігінен бөлшектемеңіз, кез- келген ақаулықтар пайда болғанда, сондай-ақ құрылғы құлағаннан кейін, оны электр желісінен ажыратыңыз және сервис орталығына жүгініңіз.
 - Зақымдануды болдырмау үшін, құрылғыны зауыттық қаптамада ғана тасымалдаңыз.
 - Құрылғыны салқын және құрғақ жерде, балалардың және мүмкіндігі шектеулі адамдардың қолы жетпейтін жерде сақтаңыз.

ҚҰРЫЛҒЫ ТЕК ТҰРМЫСТЫҚ ПАЙДАЛАНУҒА ҒАНА АРНАЛҒАН, ҚҰРЫЛҒЫНЫ КОММЕРЦИЈАЛЫҚ НЕМЕСЕ ЗЕРТХАНАЛЫҚ МАҚСАТТАРДА ПАЙДАЛАНУҒА ТЫЙЫМ САЛЫНАДЫ.

АЛҒАШ РЕТ ПАЙДАЛУ АЛДЫНДА

Құрылғыны төмен температурада тасымалдағаннан кейін немесе сақтаған болсаңыз, оны қаптамадан шығарыңыз және пайдалану алдында 3 сағаттан кем емес уақыт күтіңіз.

- Құрылғыны қаптамадан шығарыңыз және барлық қаптама материалдарын жойыңыз.
- Зауыт қаптамасын сақтап қойыңыз.
- Қауіпсіздік шаралары мен пайдалануға беруге қатысты ұсыныстармен танысыңыз.

- Жинақталымын тексеріңіз.
- Құрылғыны зақымдануына қатысты тексеріп алыңыз, зақымдануы болған жағдайда оны желіге қоспаңыз.
- Құрылғыда көрсетілген қуаттандыру кернеуі параметрлері электр желісінің параметрлеріне сәйкес келетініне көз жеткізіңіз.
- Барлық шешілмелі бөлшектерді (2, 5, 6, 7, 8, 9, 10, 11, 12, 13) бейтарап жуу құралы қосылған жылы сумен жуыңыз, шайыңыз және құрғатыңыз.
- Еттартқыштың корпусын сәл дымқыл матамен сүртіңіз, содан соң құрғатып сүртіңіз.

ЕТТАРТҚЫШТЫ ПАЙДАЛАНУ БОЙЫНША НЕГІЗГІ КЕҢЕСТЕР

- Еттартқыш тұрмыстық пайдаланымға ғана арналған, ет немесе балық фаршын дайындауға және үйдің жартылай өнімдерін дайындауға арналған.

НАЗАР АУДАРЫҢЫЗ!

Үздіксіз жұмыс істеу уақыты 7 минуттан аспауы керек, содан кейін 10 минуттан кем емес уақытқа үзіліс жасаңыз.

- Еттартқышты тек құрғақ, тегіс және тұрақты бетте құрастырыңыз, жылу, ашық жалын және тікелей күн сәулесі көздерінен алыс жерде пайдаланыңыз.

- Еттартқыш корпусындағы желдетілетін саңылаулар бөгде заттармен бұғатталып қалмағанына көз жеткізіңіз.
- Фарш әзірлеу алдында барлық сүйектері мен артық майлары алынып тасталғанына көз жеткізіңіз.
- Еттартқышпен қатты талшықтары бар тамақ өнімдерін (мысалы, зімбір немесе желкекті) өңдемеңіз.
- Еттартқыш бастиегінің (7) астына сәйкес келетін ыдысты қойыңыз.
- Еттартқышты қосыңыз және асықпай, еттартқыш (7) бастиегіне итергіштің (5) көмегімен етті итеріңіз.
- Жұмыс істеген кезде жеткізілім жиынтығына кіретін итергішті (5) ғана пайдаланыңыз. Етті немесе басқа өнімдерді итеру үшін аса көп күш жұмсамаңыз.
- Етті қолмен немесе басқа заттармен итеруге тыйым салынады.
- Егер жұмыс кезінде «кептеліс» пайда болса, оны жою үшін реверс (шнектің кері айналуы) функциясын пайдаланыңыз. Реверс режимін қосу үшін жұмыс режимдерін ауыстырғышты (1) «OFF» күйіне орнатып, еттартқышты өшіріңіз, содан кейін ауыстырғышты (1) «R» (реверс) күйіне басыңыз және ұстап тұрыңыз (5 секундтан артық емес), бірнеше секундтан кейін ауыстырғышты (1) босатыңыз.
- Жұмыс аяқталғаннан кейін, еттартқышты ажыратыңыз, ол үшін жұмыс режимдері ауыстырғышын

(1) «OFF» күйіне орнатыңыз, электр розеткасынан қуаттандыру бауының ашасын суырып алыңыз, содан кейін оны бөлшектеуге кірісіңіз.

ФАРШ ДАЙЫНДАУ

- Еттартқыштың бастиегін (7) орнату орнына (4) (сур. 1) салыңыз, бекіткіш батырмасын (3) басыңыз және еттартқыштың бастиегін (7) сағат тіліне қарсы бекітілгенге дейін бұраңыз.
- Иірмекті (8) еттартқыш бастиегінің (7) корпусына орнатыңыз.
- Крест тәрізді пышақты (9) орнатыңыз.
- Бір қажетті торды (10) таңдаңыз және оны пышақтың үстінен, тордағы шығыңқыны еттартқыш бастиегі (7) корпусындағы ойықтарға сәйкестендіріп орнатыңыз, сомынды (11) қатайтып бұраңыз.
- Жұмыс істеу кезінде тек итергішті (5) пайдаланыңыз.

НАЗАР АУДАРЫҢЫЗ!

- Пышақты (9) орнату кезінде пышақтың (9) кесетін жиектері торға (10) бағытталғанын қадағалаңыз. Егер пышақ дұрыс орнатылмаған болса, ол етті тарту қызметін орындамайды.
- Ұсақ саңылаулары бар тор (10) шикі етті, сонымен қатар пісірілген етті, балықты және т.с.с. өндеуге жарайды.

- Анағұрлым ірі саңылаулары бар тор (10) шикі етті, балықты, көкөністерді, кептірілген жемістерді, ірімшікті және т.б. өңдеуге жарайды.

- Еттартқыштың бастиегіне (7) өнімдерге арналған астаушаны (6) орнатыңыз.
- Қуаттандыру бауының ашасын электр розеткасына салыңыз.
- Жұмыс режимдері (1) ауыстырғышын «ON» күйіне орнатып, еттартқышты қосыңыз.
- **Ұсыныстар:**
 - Мұздатылған етті толық еріту қажет. Етті өңдеу процесін жақсарту үшін оны жолақтармен (20x20x60 мм) немесе текшелермен (20x20x20 мм) кесіңіз.
 - Жұмыс істеген кезде жеткізілім жиынтығына кіретін итергішті (5) ғана пайдаланыңыз. Етті немесе басқа өнімдерді итеру үшін аса көп күш жұмсамаңыз.
 - Етті қолмен немесе басқа заттармен итеруге тыйым салынады.
- Жұмыс аяқталғаннан кейін, еттартқышты ажыратыңыз, ол үшін жұмыс режимдері ауыстырғышын (1) «OFF» күйіне орнатыңыз, электр розеткасынан қуаттандыру бауының ашасын суырып алыңыз, содан кейін оны бөлшектеуге кірісіңіз.
- Еттартқыштың бастиегін (7) бөлшектеу үшін сомынды (11) сағат тіліне қарсы бұрап шешіп алыңыз, еттартқыш бастиегі (7) корпусынан орна-

тылған торды (10) шығарып алыңыз, крест тәрізді пышақты (9) және иірмекті (8) шешіп алыңыз.

- Еттартқыш бастиегін (7) шешіп алу үшін бекіткіш (3) батырмасын басыңыз, еттартқыш бастиегін (7) сағат тілі бойынша бұраңыз және оны шешіп алыңыз.

КЕББЕ ДАЙЫНДАУ

- Кеббе, Киббех немесе кубэ — сиыр немесе қой етінен, бидай ұнынан және дәмдеуіштерден дайындалатын жерорта теңізі асханасының тағамы.
- Кебе (13) қондырмасының көмегімен негізден қуыс түтіктер жасалады. Түтікшелер салмамен толтырылады және фритюрде қуырылады. Түтіктерді толтыру үшін салма дайындаумен тәжірибе жасаңыз.
- Кебені дайындаудың үлгі рецепті берілген, интернетте басқа да рецепттерді табуға болады.
- **Салма**
 - Қой еті 100 г
 - Зәйтүн майы 1,5 ас қасық
 - Пияз (ұсақтап туралған) 1,5 ас қасық
 - Талғамға қарай дәмдеуіштер
 - Тұз 1/4 шай қасық
 - Ұн 1 ас қасық немесе 1/2 ас қасық
- Еттартқышты құрастырыңыз («ФАРШ ДАЙЫНДАУ» бөлімін қараңыз).
- Қой етін еттартқыштан бір немесе екі рет өткізіп ұсақтап алыңыз.

- Пиязды алтын түске дейін қуырып, қой етін, дәмдеуіштер, ұн және тұз қосыңыз.
- **Түтікшелерге арналған негізді әзірлеңіз.**
 - Майсыз ет (сиыр немесе қой еті) 450-500 г
 - Ұн 150-200 г
 - Дәмдеуіштер 1 шай қасық (талғамға қарай)
 - Мускат жаңғағы 1 дн.
 - Қызыл ұнтақталған бұрыш (талғамға қарай)
 - Қара бұрыш (талғамға қарай)
- Етті еттартқыштан үш рет өткізіңіз, мускат жаңғағын бөлек ұсақтаңыз, содан кейін барлық ингредиенттерді араластырыңыз.
- Түтікшедегі көп мөлшердегі ет пен аз мөлшердегі ұн консистенциясын және дайын өнімнің дәмін жақсартады.

Түтікшелерді дайындау

- Еттартқыш бастиегін (7) орнату орнына (4) орнатыңыз.
- Иірмекті (8) еттартқыш бастиегінің (7) корпусына орнатыңыз, иірмекке кеббеге (13) арналған қондырмаларды орнатыңыз, қондырмадағы (13) шығыңқылардың еттартқыш бастиегі (7) корпусындағы ойықтармен сәйкес түсуін қадағалаңыз (сур. 2), сомынды (11) тартып бұраңыз.
- Өнімдерге (6) арналған астаушаны орнаыңыз.
- Түтікшелерге арналған дайын негізді өнімдерге (6) арналған астаушаға салыңыз.
- Қуаттандыру бауының ашасын электр розеткасына тығыңыз.

- Жұмыс режимдері ауыстырғышын (1) «ON» күйіне орнатып, еттартқышты қосыңыз.
- Түтікшелерге арналған негізді беру үшін итергішті (5) пайдаланыңыз.
- Қажетті ұзындықтағы дайын түтіктерді кесіп алыңыз.
- Жұмыс аяқталғаннан кейін, еттартқышты сөндіріңіз, ол үшін жұмыс режимдері (1) ауыстырғышын «OFF» күйіне орнатыңыз және электр розеткасынан қуаттандыру бауының ашасын суырып алыңыз, содан кейін оны бөлшектеуге кірісіңіз.
- Сомынды (11) бұрап шешіп алыңыз, ол үшін оны сағат тіліне қарсы бұраңыз және кебеге (13) арналған қондырмаларды шешіп алыңыз, иірмекті (8) шешіп алыңыз.
- Еттартқыш бастиегін (7) шешіп алу үшін бекіткіш (3) батырмасын басыңыз, еттартқыш бастиегін (7) сағат тілі бойынша бұраңыз және оны шешіп алыңыз.

ШҰЖЫҚШАЛАРҒА АРНАЛҒАН ҚАБЫҚШАНЫ ТОЛТЫРУ

- Фаршты дайындаңыз.
- Еттартқыш бастиегін (7) орнату орнына (4) орнатыңыз.
- Иірмекті (8) еттартқыштың бастиегі (7) корпусына орнатыңыз, иірмекке (8) кеббеге (13) қондырма-сының бөлшегін, шұжықшаларды толтыруға арналған қондырманы (12) орнатыңыз, содан кейін сомынды (11) тартып бұраңыз (сур. 3).

- Өнімдерге (6) арналған астаушаны орнаңыз.
- Табиғи қабықшаны 10-15 минутқа жылы суы бар ыдысқа салыңыз.
- Жұмсартылған қабықшаны қондырмаға (12) ки-гізіңіз, қабықшаның аяқ жағын түйіп байлаңыз.
- Өнімдерге арналған астаушаға (6) дайын фаршты салыңыз.
- Қуаттандыру бауының ашасын электр розеткасына салыңыз.
- Жұмыс режимдері ауыстырғышын (1) «ON» күйіне орнатып, еттартқышты қосыңыз.
- Дайын фаршты итеру үшін итергішті (5) (сур. 3) пайдаланыңыз, қабықша толған сайын оны қондырмадан (12) жылжытыңыз, қабықша кепкен сайын оны сумен жібітіңіз.
- Жұмыс аяқталғаннан кейін, еттартқышты сөндіріңіз, ол үшін жұмыс режимдері (1) ауыстырғышын «OFF» күйіне орнатыңыз және электр розеткасынан қуаттандыру бауының ашасын суырып алыңыз, содан кейін оны бөлшектеуге кірісіңіз.
- Сомынды (11) бұрап шешіп алыңыз, қондырмаларды (12) және (13) шешіп алыңыз, иірімекті (8) алып шығыңыз.
- Еттартқыш бастиегін (7) шешіп алу үшін бекіткіш (3) батырмасын басыңыз, еттартқыш бастиегін (7) сағат тілі бойынша бұраңыз және оны шешіп алыңыз.

ТАЗАЛАУЫ ЖӘНЕ КҮТІМІ

- Жұмыс аяқталғаннан кейін, еттартқышты сөндіріңіз, ол үшін жұмыс режимдері (1) ауыстырғышын «OFF» күйіне орнатыңыз және электр розеткасынан қуаттандыру бауының ашасын суырып алыңыз, содан кейін оны бөлшектеуге кірісіңіз.
- Жұмысқа пайдаланылған бөлшектерді бейтарап жуу құралы бар жылы сумен жуыңыз, шайыңыз және құрғатыңыз.
- Еттартқыштың корпусын сәл дымқыл матамен сүртіңіз, содан кейін құрғатып сүртіңіз.
- Еттартқыш корпусын тазалау үшін абразивті тазалағыш заттарды немесе еріткіштерді пайдалануға тыйым салынады.
- Еттартқыш корпусының ішіне сұйықтықтың тиюіне жол бермеңіз.
- Тұздалған немесе қышқыл өнімдерді өңдегеннен кейін, еттартқыштың пайдаланылған шешілмелі бөлшектерін сумен шайыңыз.
- Бояғыш қасиеттері бар көкөністер (мысалы, сәбіз немесе қызылша) еттартқыш бөлшектерін бояуы мүмкін, еттартқыш бөлшектерін өсімдік майына майланған матамен сүртіңіз, содан кейін оларды бейтарап жуу құралымен жуыңыз, шайыңыз және кептіріңіз.
- Еттартқышты тұтқасынан ұстап тасымалдаңыз.

САҚТАЛУЫ

- Еттартқышты сақтауға қоярға дейін, еттартқыш корпусы мен барлық шешілмелі бөлшектері таза және құрғақ екеніне көз жеткізіңіз.
- Торларды (10) сақтау үшін астаушаны (2) пайдаланыңыз.
- Құрылғыны салқын және құрғақ жерде, балалардың және мүмкіндігі шектеулі адамдардың қолы жетпейтін жерде сақтаңыз.

ЖЕТКІЗІЛІМ ЖИЫНТЫҒЫ

1. Еттартқыш — 1 дн.
2. Итергіш — 1 дн.
3. Өнімдерге арналған астауша — 1 дн.
4. Тор — 2 дн.
5. Шұжықшаларды толтыруға арналған қондырма — 1 дн.
6. кеббе дайындауға арналған қондырма — 1 дн.
7. Пайдалану бойынша нұсқаулық — 1 дн.

ТЕХНИКАЛЫҚ СИПАТТАМАЛАРЫ

- Электр қуаттандыруы: 220-240 В, ~ 50 Гц
- Номиналдық тұтыну қуаты: 600 Вт
- Максималды қуаты: 1300 Вт

КӘДЕГЕ АСЫРУ



Қалдықтардың бақыланбай кәдеге асыруынан қоршаған ортаға немесе адамдардың денсаулығына зиян келтірмеу үшін, құрылғының немесе қуаттандыру элементтерінің (егер жиынтыққа кірсе) қызмет ету мерзімі аяқталғаннан кейін оларды әдеттегі тұрмыстық қалдықтармен бірге тастамаңыз, аспапты және қуаттандыру элементтерін одан әрі кәдеге асыру үшін арнайы пункттерге жіберіңіз.

Бұйымдарды кәдеге асыру кезінде пайда болатын қалдықтар белгіленген тәртіп бойынша келесі кәдеге асырылатын тәртіппен міндетті түрде жинауға жатады.

Берілген өнімді кәдеге асыру туралы қосымша ақпаратты алу үшін жергілікті муниципалитетке, тұрмыстық қалдықтарды пайдаға асыру қызметіне немесе осы өнімді сатып алған дүкенге жүгініңіз.

Өндіруші алдын-ала ескертусіз, құрылғының дизайнын, конструкциясы мен оның жалпы жұмыс ұстанымдарына әсер етпейтін техникалық сипаттамаларын өзгерту құқығын өзіне қалдырады.

Құрылғының қызмет ету мерзімі — 3 жыл

Өндірілген күні сериялық нөмірде көрсетілген.

Қандай да бір ақаулықтар табылған жағдайда дереу авторландырылған сервистік орталыққа жүгіну керек.



Hergestellt für «Ruste GmbH»,
Berggasse 18/18, 1090 Wien,
Österreich

Produced for «Ruste GmbH»,
Berggasse 18/18, 1090 Vienna, Austria

Изготовлено по заказу Русте Гмбх,
Бергассе 18/18, 1090 Вена, Австрия

Уполномоченное изготовителем
лицо: ООО «Грантэл»
143912, МО, г. Балашиха,
ш. Энтузиастов, вл. 1А
т.: +7 (495) 297-50-20,
e-mail: info@brayer.su

Made in China/Произведено в Китае

brayer.pro

